

### MxC300 MuxCapacitor Transformer-less Converter

The MxC300 MuxCapacitor two-chip set solution offers the highest power density 65W AC-DC isolated power supply. A multi-gain MuxCapacitor is integrated with a power modulator which delivers power through a capacitive isolation barrier. Helix provides a UL approved 65W power supply reference design.

The MxC300 includes a pin configurable output voltage control. Four different output voltages are available compatible with USB-C requirements.

The MxC300 two chip set includes reset, internal references and regulation & gain control logic. The chip set's high efficiency reduces thermal loading for lower packaging costs. Other output voltages are available with a simple gain trim.

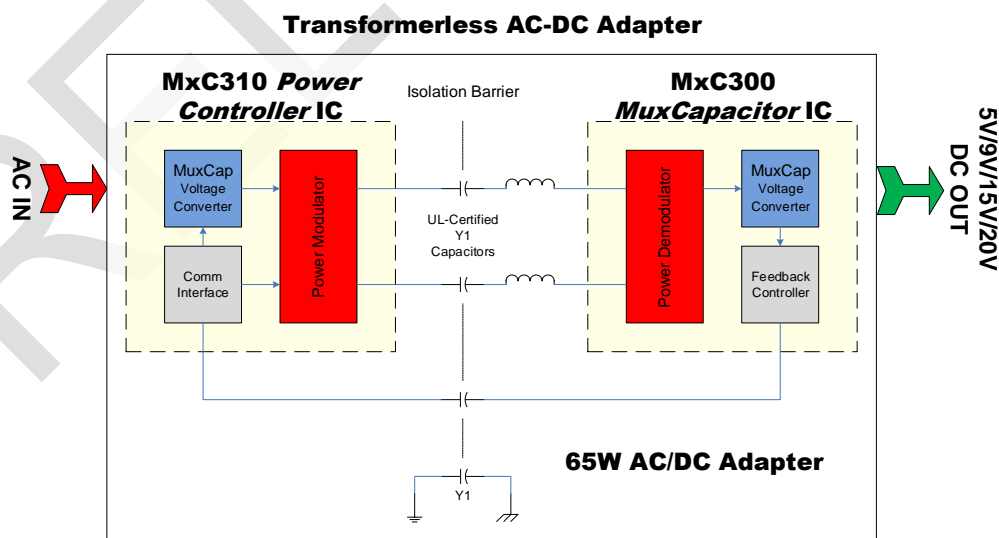
### Features

- Up to 10x Increase in Power Density
- 85-264VAC Input Voltage
- UL™ Approved Reference Design
- Soft-Start
- 20V, 65W Output
- 5V, 9V, 15V, 20V Output Voltages
- ±5% Output Voltage Regulation
  - 25%, 50%, 75%, 100%
- < 5mW Zero-Power Mode Consumption
- I<sup>2</sup>C Configuration Interface

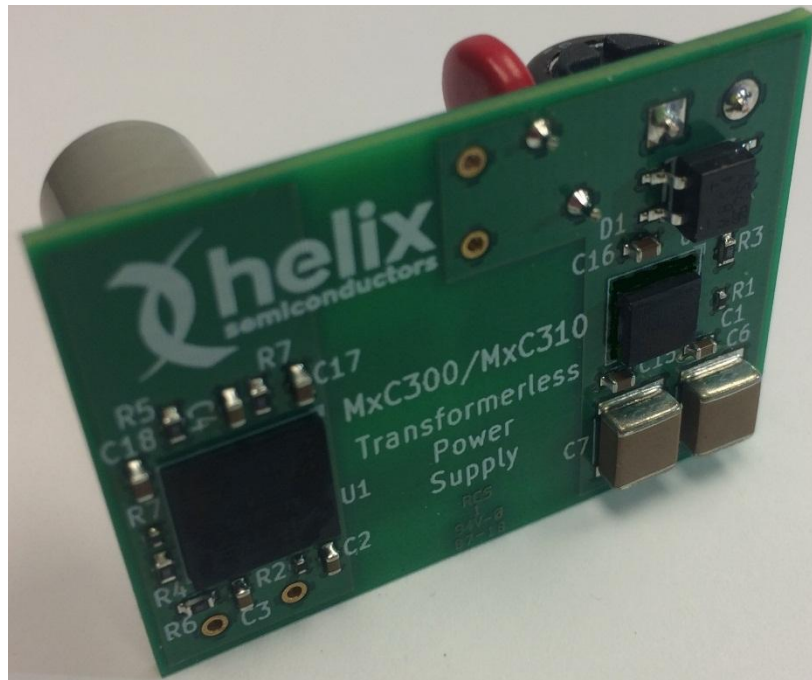
### Applications

- USB-C Compatible Output Voltages
- Smart Outlets
- IoT and IIoT Gateways
- Remote Sensors
- Smoke and CO Detectors

### MxC300 Block Diagram



### UL™ Approved 65W Transformer-less Reference Design



**MxC300 Chip Set Efficiency vs Output Power**

